

MultiConnect™ OCG-D

Open Communications Gateways - Device



Benefits

- Linux-based open source software
- Proven hardware for the development and deployment of custom applications
- Cost-effective alternative to custom manufacturing
- Comprehensive service and developer support

The MultiConnect™ OCG-D open communications gateways with CoreCDP™ comprise an open Linux development environment and a fully certified hardware offering that includes multiple interfaces (serial, USB, Ethernet and SD card) and internal peripherals (including a cellular modem and a GPS receiver) in one application-ready end user solution.

Applications that require device networking capability can now be embedded directly onto select Multi-Tech hardware. The MultiConnect OCG-D brings together a cellular hardware development kit and Multi-Tech's CoreCDP, a distribution version of the Linux operating system and complete Linux build environment, to create custom applications in a very short period of time. The Multi-Tech MultiConnect OCG-D provides a flexible, quick and cost-effective way to bring your solution to market.

Development Hardware

- Application-ready hardware platform
- Includes GPS and cellular modem
- Multiple interfaces available (serial, USB, Ethernet)
- 36-pin GPIO interface
- FCC, IC, UL, PTCRB and R&TTE certified

CoreCDP™ Software

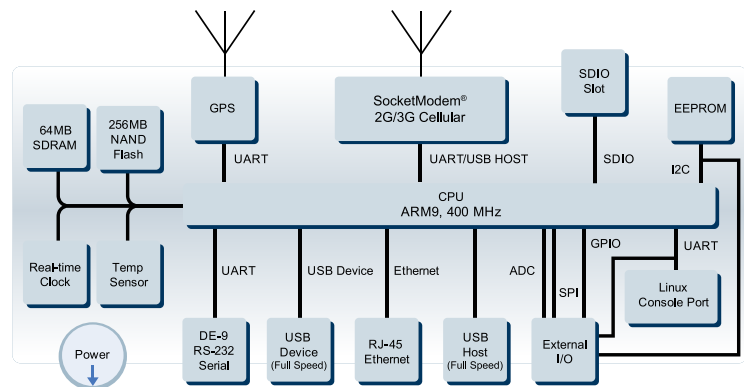
- Custom Linux distribution
- Provides complete Linux build environment
- Cross-compile thousands of open source software packages
- Create custom applications in a short period of time

Support

- Advanced developer support available
- Established developer community available at www.multitech.net
- Two-year warranty

Deployment Models

- Non-cellular, cellular-only and cellular/GPS models available
- Standard and customized deployment models available
- FCC, IC, UL, PTCRB and R&TTE certified



Highlights

Custom Application Development and Deployment. The MultiConnect OCG-D offers customers the opportunity to develop and deploy custom applications on the same product platform. Developer kits include all the hardware, cables and accessories required to develop unique applications. Once complete, deployment models are available for the sale and distribution of the solution within a proven and approved hardware platform.

Linux-Based Open Source. The MultiConnect OCG-D uses the OpenEmbedded framework as the base to provide a custom Linux distribution, known as CoreCDP. This allows developers to cross-compile thousands of open source software packages and to create custom applications in a very short period of time. In many cases, existing applications can easily be run with little or no modification.

Carrier Approved. All MultiConnect OCG-D developer kits and deployment models are PTCRB approved, relieving customers the burden and expense of obtaining these approvals independently. This also provides a faster time-to-market and improved return on investment.

Multiple Interface Options. The MultiConnect OCG-D provides the broadest range of interface options, including serial, USB host, and Ethernet, giving customers seamless connectivity to their applications.

GPIO. The 36-pin general purpose input/output connection, which includes SPI, I2C, serial, ADC, and GPS connections, provides multiple ways of interfacing with any application.

Proof of Concept. Customers planning their own internal custom developments can use the MultiConnect OCG-D to create beta units and prototypes for use in voice of customer and proof of concept activities. These models can be generated quickly and with little additional expense. The input from these activities can improve the feature set of the customer's final product.

Comprehensive Service and Support

Standard Support. The Multi-Tech MultiConnect OCG-D includes a two-year product warranty on the hardware platform. This includes technical support, via the Multi-Tech online support portal, to assist with troubleshooting and basic hardware configurations.

Developer Community and Support. To support software developers who are using the MultiConnect OCG-D, Multi-Tech focuses on building better tools for collaborative software development using Multi-Tech products. This is an open environment where software developers can ask and respond to development-related questions regarding Multi-Tech products and access a variety of resources, including product documentation, application development examples, technical articles and much more.

You can also participate in developer forums on www.multitech.net to find and share ideas and tips. Moderated by Multi-Tech engineering professionals and the developer community, these forums address a wide variety of development topics to support your projects.

Advanced Developer Support. For developers needing dedicated support, Multi-Tech offers a fee-based support option available in 5-hour and 25-hour increments. Advanced Developer Support provides assistance with software issues, the porting of or cross-compiling of applications, use of peripherals and much more.

Hardware Specifications

Processor & Memory

- 400 MHz ARM9 CPU
- 256MB NAND flash
- 64MB SDRAM
- 2GB industrial grade SD Flash Card (included)

Internal Peripherals

- RTC (Real Time Clock)
- Dedicated GPS receiver
- Cellular modem
- Debug 3 pin serial console port
- Temperature sensor

Connections

- LAN: RJ-45, 10/100BaseT
- RS-232 Data: DB-9 female, 921.6K bps max serial speed
- GSM/GPS Antenna: 50 ohm SMA female
- Power: 2.5mm miniature screw
- SIM: Standard 1.8V & 3V SIM receptacle
- USB Host: USB 2.0 Full Speed (12 Mbps) Host connector
- USB Device: USB 2.0 Full Speed (12 Mbps) mini-B device connector
- GPIO: 36-pin Molex connection
- SD Memory Flash Card: SD memory card slot

GPIO Functions:*

- Pins 1 - 9: General Purpose Input
- Pins 10 - 14: Analog Input
- Pins 15 - 24: General Purpose Output
- Pins 25 - 29: SPI
- Pins 30 - 31: Debug
- Pin 32: GPS PPS
- Pins 33 - 34: I2C
- Pin 35: No Connect
- Pin 36: Ground (SPI, I2C, Serial)

* For more specifications on GPIO functionality, visit www.multitech.net

Interfaces

- General Purpose LEDs: Power, Cellular Link Status, Ethernet Link, & Speed
- Programmable LEDs: 5 user-defined, application-specific LEDs



Hardware Specifications (continued)

Short Message Services - SMS

Text & PDU
Point-to-Point (MO/MT)

GPS

Position: 2.5 meters
Acquisition: Hot start 1 second; cold start 29 seconds avg.
Sensitivity: Tracking -161 dBm
Protocol: NMEA-0183 V3.01, GGA, GLL, GSA, GSV, RMC, VTG

Power Requirements

Input Power: 9 to 32VDC

Physical Dimensions (L x W x H)

2.8" x 7.0" x 1.2" (7.1 cm x 17.8 cm x 3.0 cm)

Weight

11.5 oz (326 g)

CoreCDP Software Specifications (Version 2.1.0)

Linux Kernel 2.6.35.14
Utilizes OpenEmbedded framework
Tested with the following Linux OS: Ubuntu 9.10 to 11.04 (recommended), Debian 6 (recommended) openSUSE 11.4, Fedora Core 12 – 15, CentOS 5.6 & 6
Drivers to support all peripherals included on the platform hardware
Notable Software Versions: Python 2.6.6, JamVM 1.5.4 (Java), Perl 5.10.1, Ruby 1.8.7, PHP 5.3.6
A complete list of software versions is available at www.multitech.net
Networking: PPP, iptables
Web Server: lighttpd
Remote shell: SSH
Database: sqlite3
Network file system: samba
Security: OpenSSL
Software Development Kit: MultiConnect SDK

Specifications	MTCDP-H5	MTCDP-EV2	MTCDP-E1	MTCDP-G2
Performance	HSPA+	CDMA2000 1xRTT EV-DO Rev. A	EDGE: E-GPRS Class 12 GPRS: Class 10	GPRS Class 10
Frequency Bands	Penta-band: 850/900/ 1700(AWS)/1900/2100 MHz Triple-band: 2100/1900/850 MHz with Rx diversity	Dual-band 800/1900 MHz CDMA; 800 MHz & 800/1900 MHz with R-UIM support	Quad-band GSM/GPRS/EDGE 850/900/1800/1900 MHz	Quad-band GSM 850/900/1800/1900 MHz
Environmental†				
Operating Temperature*	-22° to 140° F (-30° to +60° C)*	-40° to 167° F (-40° to +75° C)*	-31° to 167° F (-35° to +75° C)*	-40° to 185° F (-40° to +85° C)*
	* UL Listed @ 104° F (40° C), limited by power supply. UL Certification does not apply or extend to an ambient above 104° F (40° C) and has not been evaluated by UL for ambient greater than 104° F (40° C).			
Storage Temperature	-40° to +185° F (-40° to +85° C)			
Humidity	20% to 90% RH, noncondensing			
Certifications				
EMC Compliance†	FCC Part 15, EN55022, EN55024	FCC Part 15	FCC Part 15, EN55022, EN55024	
Radio Compliance	FCC Part 22, 24, RSS132,133, EN301 489-1, EN489-3 (-GP only), EN301 489-7, EN301 511, AS/ACIF S042.1, S042.3	FCC Part 22, 24, RSS132, 133	FCC Part 22, 24, RSS132,133, EN301 489-1, EN489-3 (-GP only), EN301 489-7, EN301 511, AS/ACIF S042.1, S042.3	
Safety†	UL60950-1, cUL60950-1, IEC60950-1	UL60950-1, cUL60950-1, IEC60950-1	UL60950-1, cUL60950-1, IEC60950-1	UL60950-1, cUL60950-1, IEC60950-1, AS/NZS60950-1
Network	PTCRB	CDG 1&2	PTCRB	

† Specifications for non-cellular versions.

Ordering Information

Developer Kits

Developer kits include: Modem with GPS receiver, universal power supply, GSM/GPS antenna, GPIO cable, serial debug cable, Ethernet cable, RS-232 cable, compact flash, USB cables, DVD, and screwdriver.

Product	Description	Region
MTCDP-H5-GP-DK-1.0	3G, HSPA+ Developer Kit	Global
MTCDP-EV2-GP-N2-DK-1.0	3G, EV-DO (Sprint) Developer Kit	USA
MTCDP-EV2-GP-N3-DK-1.0	3G, EV-DO (Verizon Wireless) Developer Kit	USA
MTCDP-EV2-GP-N3-DK-1.0-NP [†]	3G, EV-DO (nPhase/Verizon Wireless) Developer Kit	USA
MTCDP-EV2-GP-N16-DK-1.0	3G, EV-DO (Aeris Communications) Developer Kit	USA
MTCDP-E1-GP-DK-1.0	2.5G, EDGE Developer Kit	Global
MTCDP-G2-GP-DK-1.0	2G, GPRS Developer Kit	Global
MTCDP-GP-DK-1.0	Non-Cellular Developer Kit	Global

Deployment Models (includes GPS receiver)*

Deployment models are modem only. All accessories are sold separately.

Product	Description	Region
MTCDP-H5-GP-1.0	3G, HSPA+ Deployment Model	Global
MTCDP-EV2-GP-N2-1.0	3G, EV-DO (Sprint) Deployment Model	USA
MTCDP-EV2-GP-N3-1.0	3G, EV-DO (Verizon Wireless) Deployment Model	USA
MTCDP-EV2-GP-N3-1.0-NP [†]	3G, EV-DO (nPhase/Verizon Wireless) Deployment Model	USA
MTCDP-EV2-GP-N16-1.0	3G, EV-DO (Aeris Communications) Deployment Model	USA
MTCDP-E1-GP-1.0	2.5G, EDGE Deployment Model	Global
MTCDP-G2-GP-1.0	2G, GPRS Deployment Model	Global
MTCDP-GP-1.0	Non-Cellular Deployment Model	Global

Deployment Models*

Deployment models are modem only. All accessories are sold separately.

Product	Description	Region
MTCDP-H5-1.0	3G, HSPA+ Deployment Model	Global
MTCDP-EV2-N2-1.0	3G, EV-DO (Sprint) Deployment Model	USA
MTCDP-EV2-N3-1.0	3G, EV-DO (Verizon Wireless) Deployment Model	USA
MTCDP-EV2-N3-1.0-NP [†]	3G, EV-DO (nPhase/Verizon Wireless) Deployment Model	USA
MTCDP-EV2-N16-1.0	3G, EV-DO (Aeris Communications) Deployment Model	USA
MTCDP-E1-1.0	2.5G, EDGE Deployment Model	Global
MTCDP-G2-1.0	2G, GPRS Deployment Model	Global
MTCDP-1.0	Non-Cellular Deployment Model	Global

Developer Support

For developers needing dedicated support, Multi-Tech offers a fee-based support option. Advanced Developer Support provides assistance with software issues, the porting of or cross-compiling of applications, use of peripherals, and much more.

Product	Description	Region
CDPS-5	Developer Support - 5 hours	Global
CDPS-25	Developer Support - 25 hours	Global

Accessories

MTOCG-BOB-DK	GPIO Cable and Break-out Board
CA-CDP-GPIO	36-pin, General Purpose Input/Output Cable (open ended)
PS-9VCB-LBC-U-Global	100 - 240V 9V-1.7A changeable blade power supply with three interchangeable blades (U.S., Euro, UK)
ANGSM-GPS-1MM	GSM/GPS Combination Antenna, 9.8 feet (3 meters)
CA-CDP-DEBUG	3-Pin, Serial Debug Cable, 6 feet (1.8 meters)
CA9-9-D	RS-232 Cable, DB9F-DB9M, 6 feet (1.8 meters)
CA-RJ-45	RJ45 (CAT5E, 10/100 Mbps) Cable, 6 feet (1.8 meters)
CA-USB	USB A/B Cable, 4.9 feet (1.5 meters)
CA-USB-A-MINI-B	USB A-to-Mini-B Cable, 3.9 feet (1.2 meters)

* Custom deployment options available. Contact your Multi-Tech Systems representative for details.

† Available through Authorized nPhase ONE Developers.

Produced in the US of US and non-US components.

Features and specifications are subject to change without notice.

Trademarks / Registered Trademarks: MultiConnect, CoreCDP, Multi-Tech, and the Multi-Tech logo: Multi-Tech Systems, Inc. / All other products and technologies are the trademarks or registered trademarks of their respective holders.

World Headquarters

Tel: (763) 785-3500
(800) 328-9717

www.multitech.com

EMEA Headquarters

Multi-Tech Systems (EMEA)
United Kingdom

Tel: +(44) 118-959 7774